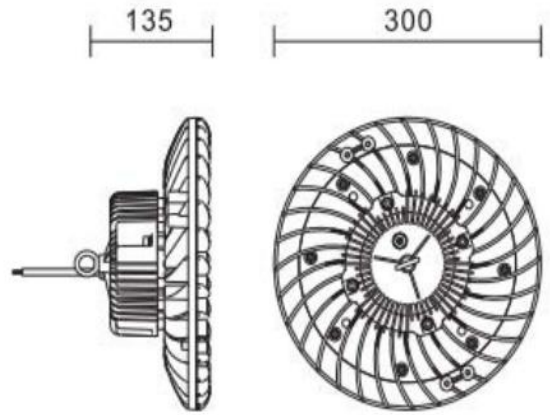


RSHB-100W-U



Parameters

Electrical

Model No.	RSHB-100W-U
Power	100W
Input Voltage	95-305VAC, 50/60Hz
Input Current	0.909A/110VAC, 0.455A/220VAC, 0.361A/277VAC
Power Factor	>0.95
Power efficiency	>90%

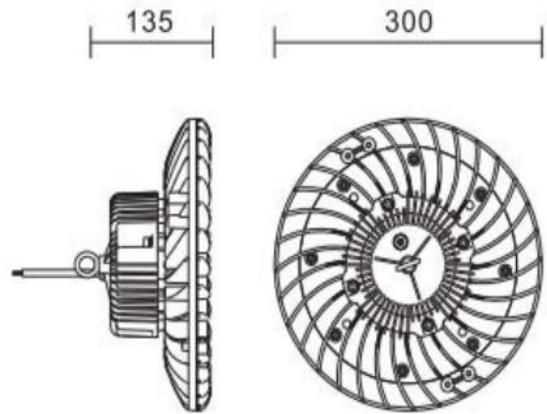
Optical

Lumens	+Lumen tolerance +/- 5% 13000 lm
Lumen Efficiency	130lm/W
CRI	Ra>70
CCT	2700/3000/3500/4000K 5000/5700/6500K
Beam Angles	120°

Physical

IP&IK Rating	IP65
Life Span	50000 hours, @25°C
Product Size	φ300×135mm
N.W./Pcs	3.3Kg
G.W./Pcs	4.4Kg
Carton Size	360*360*185mm
Pcs/CTN	1pcs/ctn
Heat-sink Material	6063Aluminum
Lens Material	Tempered glass
LED Driver	Meanwell driver
LED Chip	Lumileds Luexon 3030 2D

RSHB-120W-U



Parameters

Electrical

Model No.	RSHB-120W-U
Power	120W
Input Voltage	95-305VAC, 50/60Hz
Input Current	1.090A/110VAC, 0.545A/220VAC, 0.433A/277VAC
Power Factor	>0.95
Power efficiency	>90%

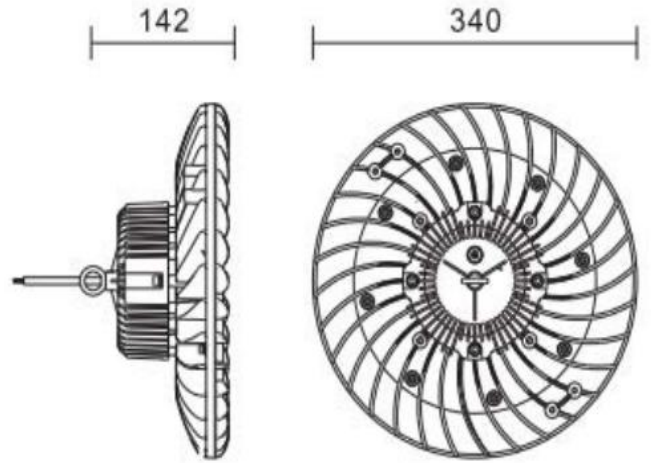
Optical

Lumens	+Lumen tolerance +/- 5% 15600 lm
Lumen Efficiency	130 lm/W
CRI	Ra>70
CCT	2700/3000/3500/4000K 5000/5700/6500K
Beam Angles	120°

Physical

IP&IK Rating	IP65
Life Span	50000 hours, @25°C
Product Size	φ300×135mm
N.W./Pcs	3.6Kg
G.W./Pcs	4.7Kg
Carton Size	360*360*185mm
Pcs/CTN	1pcs/ctn
Heat-sink Material	6063Aluminum
Lens Material	Tempered glass
LED Driver	Meanwell driver
LED Chip	Lumileds Luexon 3030 2D

RSHB-150W-U



Parameters

Electrical

Model No.	RSHB-150W-U
Power	150W
Input Voltage	95-305VAC, 50/60Hz
Input Current	1.364A/110VAC, 0.682A/220VAC, 0.542A/277VAC
Power Factor	>0.95
Power efficiency	>90%

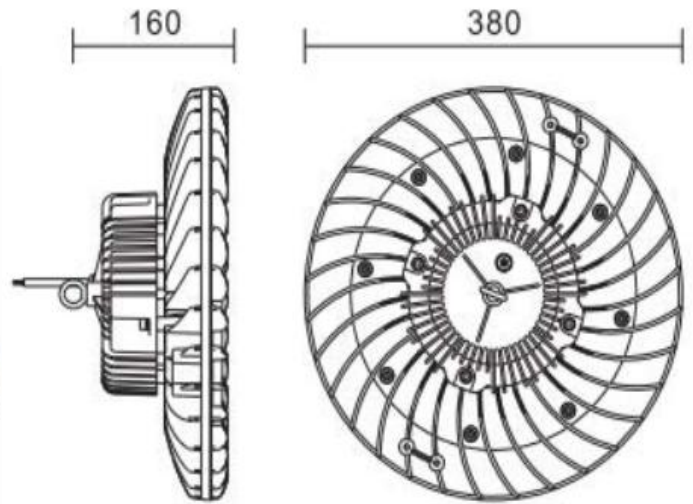
Optical

Lumens	+Lumen tolerance +/- 5% 19500 lm
Lumen Efficiency	130lm/W
CRI	Ra>70
CCT	2700/3000/3500/4000K 5000/5700/6500K
Beam Angles	120°

Physical

IP&IK Rating	IP65
Life Span	50000 hours, @25°C
Product Size	φ340×142mm
N.W./Pcs	4.0Kg
G.W./Pcs	5.4Kg
Carton Size	390*390*190mm
Pcs/CTN	1pcs/ctn
Heat-sink Material	6063Aluminum
Lens Material	Tempered glass
LED Driver	Meanwell driver
LED Chip	Lumileds Luexon 3030 2D

RSHB-200W-U



Parameters

Electrical

Model No.	RSHB-200W-U
Power	200W
Input Voltage	95-305VAC, 50/60Hz
Input Current	1.818A/110VAC, 0.909A/220VAC 0.722A/277VAC
Power Factor	>0.95
Power efficiency	>90%

Optical

Lumens	+Lumen tolerance +/- 5% 26000 lm
Lumen Efficiency	130lm/W
CRI	Ra>70
CCT	2700/3000/3500/4000K 5000/5700/6500K
Beam Angles	120°

Physical

IP&IK Rating	IP65
Life Span	50000 hours, @25°C
Product Size	φ380*160mm
N.W./Pcs	5.35Kg
G.W./Pcs	7.00Kg
Carton Size	420*420*195mm
Pcs/CTN	1pcs/ctn
Heat-sink Material	6063Aluminum
Lens Material	Tempered glass
LED Driver	Meanwell driver
LED Chip	Lumileds Luexon 3030 2D